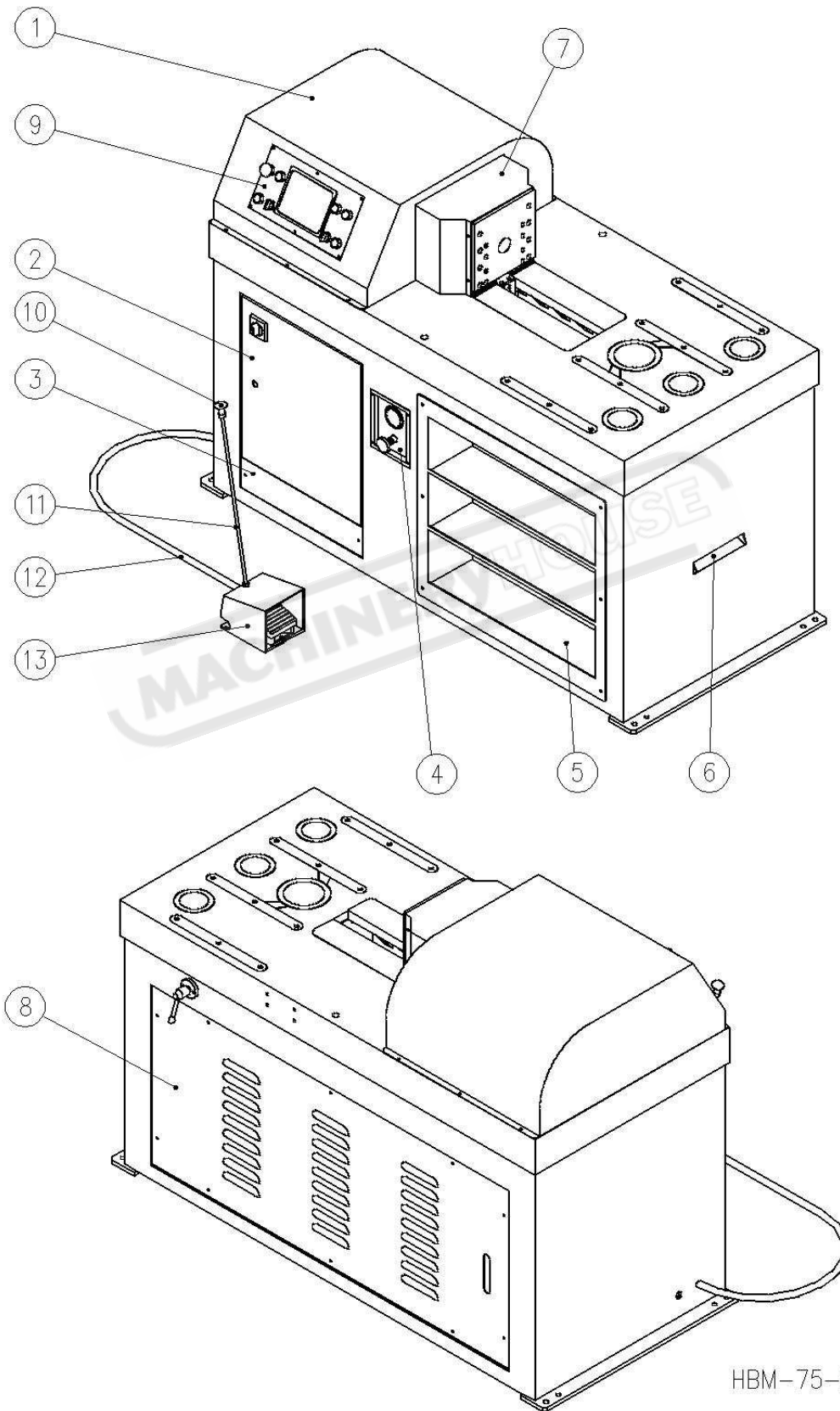




HBM-75



HBM-75-2011



Sunrise Bending Machine Parts List

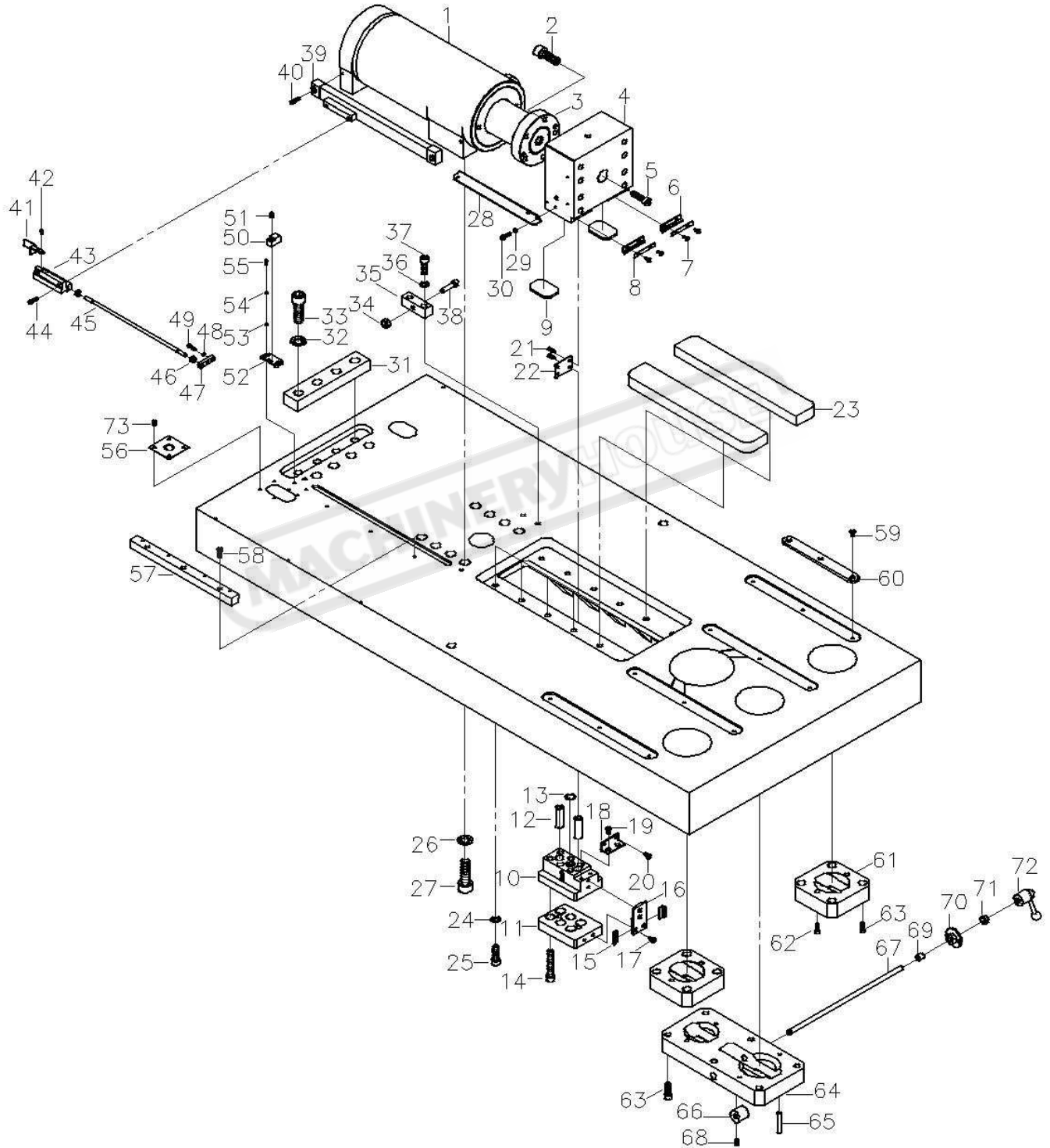
Model: **HBM-75** Part: **Cover Plates**

Date: 12/2011

Item	Part Number	Description	產品名稱	Q'ty	Memo
1	226202007B	Cylinder Stationary Cover	油壓缸固定護蓋	1	
2	226202900A	226202001A 226202002 226202003 52414APL93902	Electrical Box	電氣箱總成	1
3	226202006	Front Base Cover	前蓋	1	
4	226102024A	Pressure Control Panel	壓力控制面板	1	
5	226202005	Materail Shelf	物料架	1	
6	226202010	Scrap slide out plate	下料滑板	1	
7	226202008A	Cylinder Moving Cover	油壓缸活動護蓋	1	
8	226202009	Rear Base Cover	底座後蓋	1	
9	226102002B	Panel	面板	1	
10	56314118036M10	Waist Shaped Knobs 1180-36-M10	凹槽式旋鈕	1	
11	213210008	Foot Switch Handle	腳踏開關提桿	1	
12	56320G0061300A	Foot Switch Cable 3/8"X1300	電線保護管 1300mm	1	
13	52413YC135D	Foot Switch YC-135D(CE)	腳踏開關	1	



HBM-75



PART6201.dwg 12/2011



Sunrise Bending Machine Parts List

Model: **HBM-75** Part: **Frame**

Date: 12/2011

Item	Part Number	Description	產品名稱	Q'ty	Memo
1.	226203900B	Cylinder Set	油壓缸	1	
2.	56301A0016045	Hex Bolt M16X45	六角承窩頭螺栓	6	
3.	226203008	Rod-bolster join plate	模座支持塊	1	
4.	226201011A	Die Set Bolster	模座	1	
5.	56301A0030090	Hex Bolt M30X90	六角承窩頭螺栓	1	
6.	226201033	Dust Scrape Piece(1)	防塵刮片(一)	2	
7.	56301I0005008	Button Head Capscrew M5X8	半圓內六孔	4	
8.	226201021	Scrape Piece Pressure Plate	防塵刮片壓條	2	
9.	226201018	Die Set Bolster Gasket	模座下墊塊	2	
10.	226201012	Guide Block	引導塊	1	
11.	226201017	Guide Block Gasket	引導塊墊片	1	
12.	226201035	Guide Block Bushing Pin	引導塊定位銷	2	
13.	53403P016	O-Ring	O 型環	1	
14.	56301A0014085	Hex Bolt M1485	六角承窩頭螺栓	6	
15.	226201034	Dust Scrape Piece(2)	防塵刮片(二)	2	
16.	226201016	Scrape Piece Anchor Plate	防塵刮片壓板	1	
17.	56301F0006012	Sunk Head Hex Bolt M6X12	皿內六孔	4	
18.	226201015	Die Set Bolster Gasket	模座下墊塊	1	
19.	56301F0006012	Sunk Head Hex Bolt M6X12	皿內六孔	2	
20.	56301I0005008	Button Head Capscrew M5X8	半圓內六孔	2	
21.	56301I0005008	Button Head Capscrew M5X8	半圓內六孔	4	
22.	226202020	Guide Block fix plate	引導塊固定版	1	
23.	226201013A	Slide Base	滑座	2	
24.	56303A00012	Spring Washer M12	彈簧墊圈	12	
25.	56301A0012040	Hex Bolt M12X40	六角承窩頭螺栓	12	
26.	56303A00022	Spring Washer M22	彈簧墊圈	10	
27.	56301A0022050	Hex Bolt M22X75	六角承窩頭螺栓	10	
28.	226202019B	Gauge fixing plate	光學尺電線導軌護蓋	1	
29.	56303A00005	Spring Washer M5	彈簧墊圈	2	
30.	56301A0005012	Hex Bolt M5X12	六角承窩頭螺栓	2	
31.	226201032	Cylinder fix block	油壓缸擋塊	1	
32.	56303A00020	Spring Washer M20	彈簧墊圈	4	
33.	56301A0020050	Hex Bolt M20X55	六角承窩頭螺栓	4	
34.	56302B0112	NTU M12	螺帽	1	
35.	226201040	Cylinder fixing block	油壓缸固定座	1	
36.	56303A00012	Spring Washer M12	彈簧墊圈	2	
37.	56301A0012045	Hex Bolt M12X45	六角承窩頭螺栓	2	

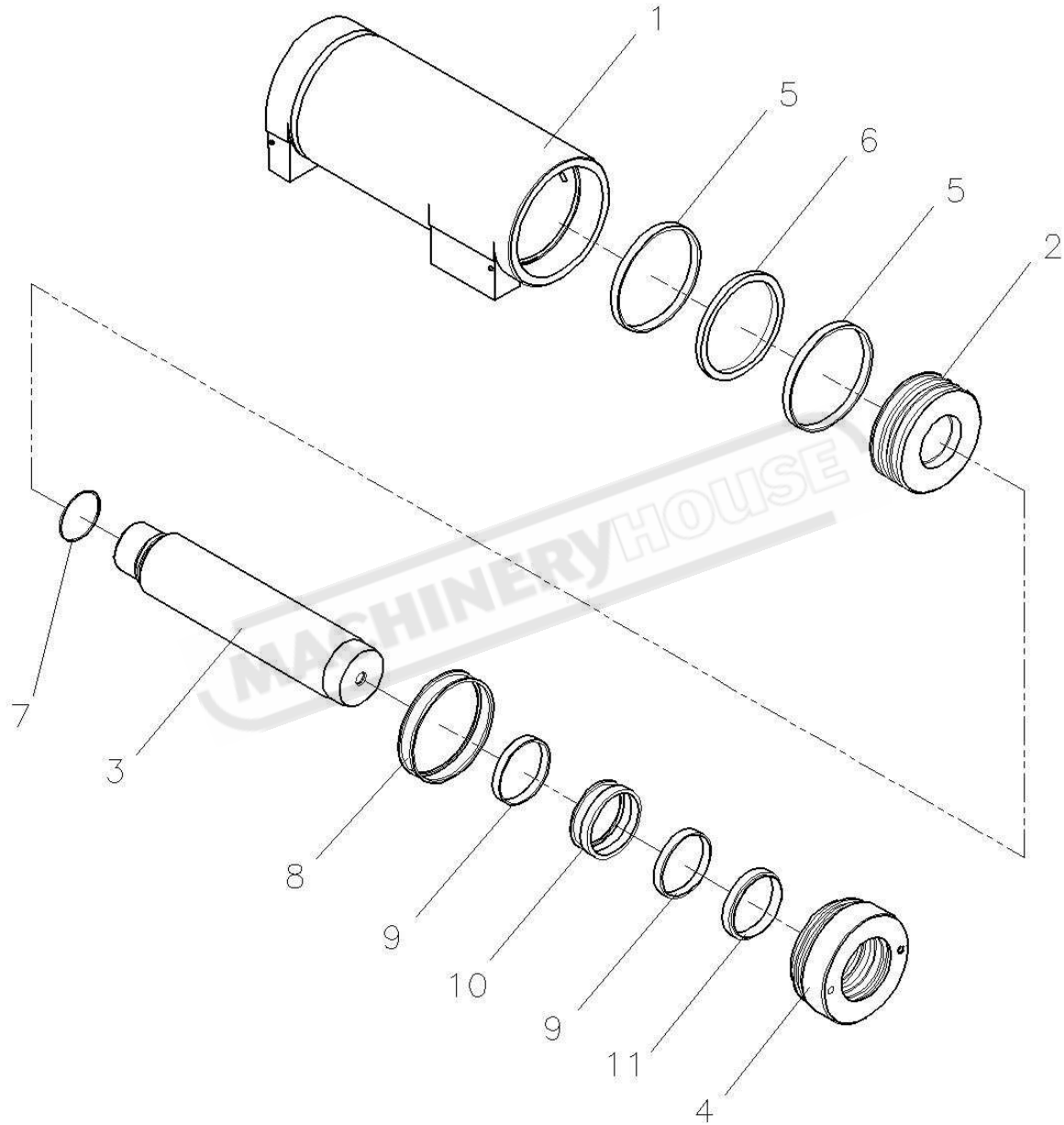
Model: **HBM-75**Part: **Frame**

Date: 12/2011

Item	Part Number	Description	產品名稱	Q'ty	Memo
38.	56301D0112040	Bolt M12X40	外六角電鍍	1	
39.	52505AT11250T	Linear Scale	光學尺	1	
40.	56301A0006045	Hex Bolt M6X25	六角承窩頭螺栓	2	
41.	226202016	Origin actuator	零點觸塊	1	
42.	56301I0004008	Button Head Capscrew M4X8	半圓內六孔	2	
43.	226201036	Gauge sensor fixing block	光學尺讀頭座(活動)	1	
44.	56301A4006020	Hex Bolt M6X20	六角承窩頭螺栓	2	
45.	226201038	Gauge pull rod	光學尺拉桿	1	
46.	56302B0108	NTU M8	螺帽	2	
47.	226201039	Pull rod fixing block	拉桿固定座	1	
48.	56303A00006	Spring Washer M6	彈簧墊圈	2	
49.	56301A0006020	Hex Bolt M6X20	六角承窩頭螺栓	2	
50.	524090TLQ5MC1Z	Orgin proximity sensor	方型近接開關	1	
51.	56301G0003020	M3X20	丸頭十字	2	
52.	33N011024	Proximity fixing block	近接開關固定座	1	
53.	56303B01005012010	Flat Washer M5	平華司	2	
54.	56303A00012	Spring Washer M5	彈簧墊圈	2	
55.	56301A0005012	Hex Bolt M5X12	六角承窩頭螺栓	2	
56.	226101033	Wire hole plate	接頭固定座	1	
57.	226201037	Gauge sensor rail	光學尺讀頭座滑軌	1	
58.	56301A0006025	Hex Bolt M6X25	六角承窩頭螺栓	3	
59.	56301F0006008	Sunk Head Hex Bolt M6X8	皿內六孔	12	
60.	226201027A	Prevent Scratch Gasket	防刮傷墊塊	4	
61.	226201023	Blade Fix Plate (2)	固定座(二)	2	
62.	56301A0006045	Hex Bolt M6X45	六角承窩頭螺栓	4	
63.	56301A0012045	Hex Bolt M12X45	六角承窩頭螺栓	14	
64.	226201022	Blade Fix Plate (1)	固定座(一)	1	
65.	56306S0100060	Spring Pin ϕ 10X60	彈簧銷	2	
66.	226201024	Ecentric locking block	刀具固定塊	1	
67.	226201025	Blade Fix Plate Axle	固定塊軸心	1	
68.	56307A012	Fixing screw with spring tip	定位珠	1	
69.	56309BLFB1215	Bearing	乾式軸承	2	
70.	226201026	Blade Fix Plate Axle Bushing	心軸固定環	1	
71.	56302B0112	NTU M12	螺帽	1	
72.	56315502025M12	Tension Levers	煙斗把手	1	
73.	56301I0005008	Button Head Capscrew M5X8	半圓內六孔	4	



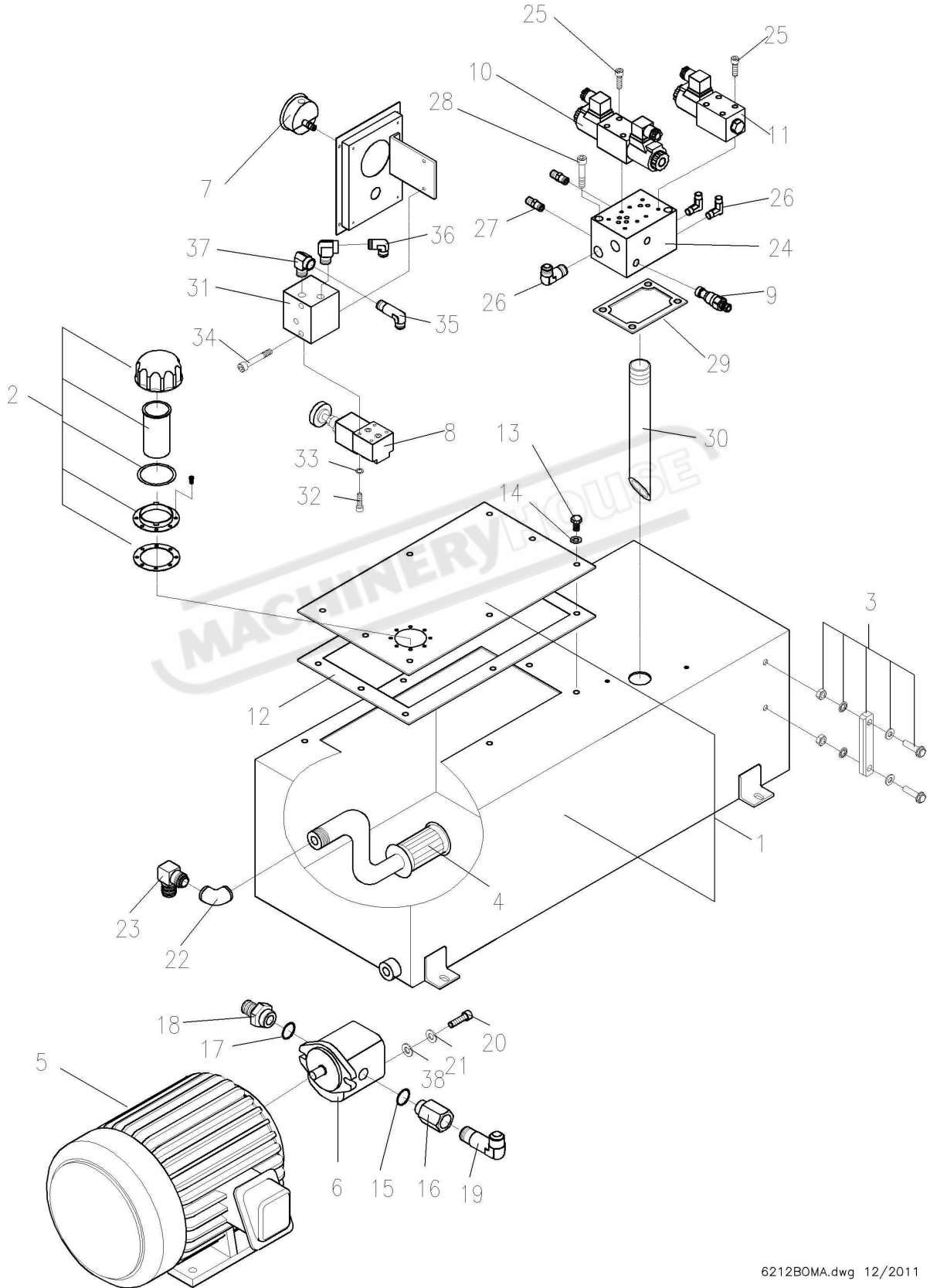
HBM-75 Cylinder Assembly



PART6103B.DWG 12/2011



HBM-75 Hydraulic Components



6212BOMA.dwg 12/2011



Sunrise Bending Machine Parts List

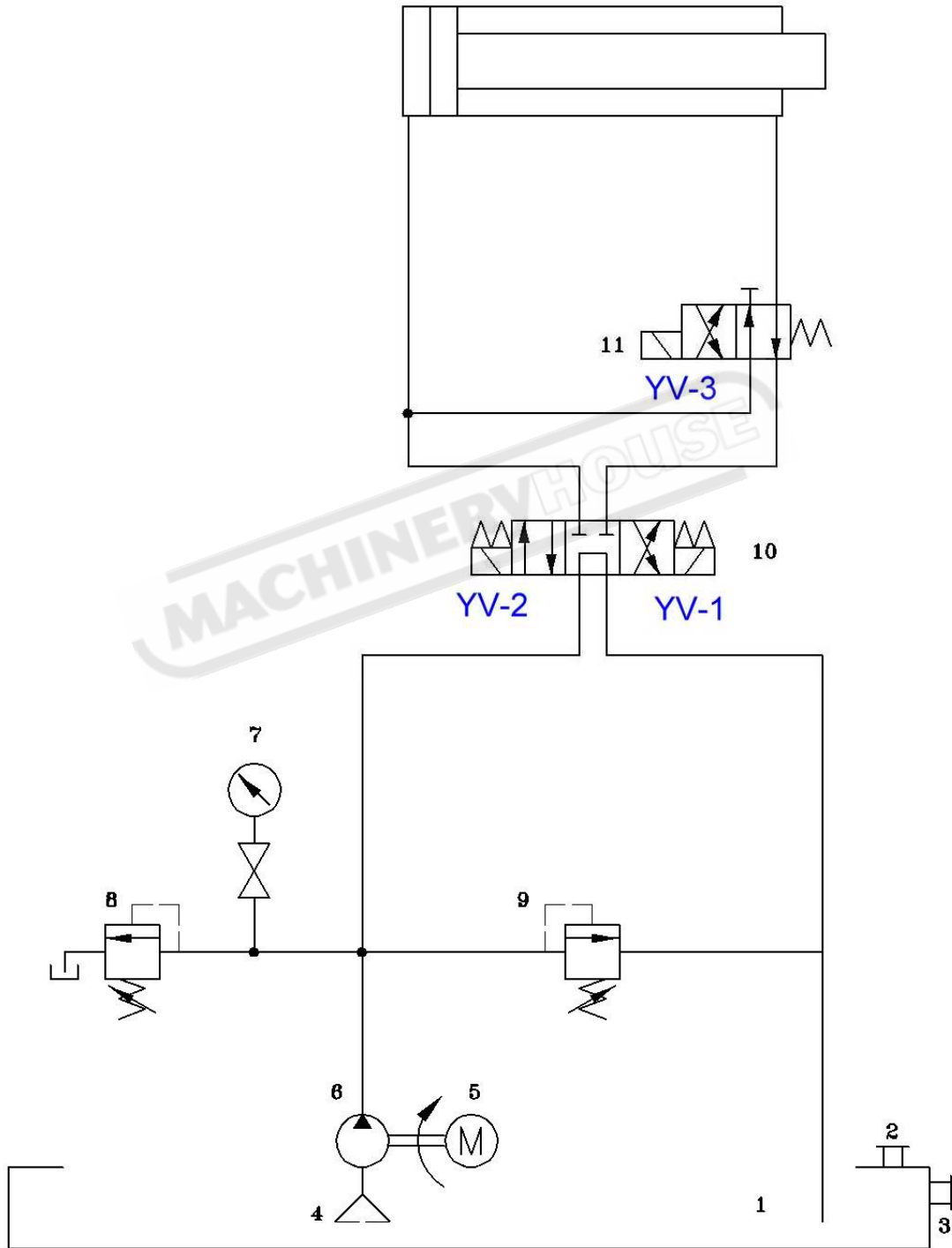
Model: **HBM-75** Part: **Hydraulic Components Assembly**

Date: 12/2011

Item	Part Number		Description	產品名稱	Q'ty	Memo
1.	226202910	226202014 226202015	Oil Tank	油箱	1	
2.	53702HY08A		Filter Breather	注油器	1	
3.	53701LG4		Oil Level Gauge	油面計	1	
4.	53301MF086		Suction Filer	濾油網	1	
5.	7.5HP 50Hz	380V : 52301075JN 400V : 52301075JN 415V : 52301075JN	Motor	馬達	1	
	7.5HP 60Hz	220V : 52301075FG 230V : 52301075FG 380V : 52301075FG 460V : 52301075FG 575V : 52301075DH				
	7.5HP 60Hz	220V : 52303075YF 380V : 52303075YF	Motor (Standard For Taiwan)	馬達	1	
6.	50Hz.: 53201ALP2AS13 60Hz.: 53201ALP2AS13		Pump	泵浦	1	
7.	5362135DSK		Pressure Gauge	埋入式正中央壓力錶	1	
8.	53657DG02H22		Relief Valve	壓力控制閥	1	
9.	53656RPECFAN		Relief Valve	洩壓閥	1	
10.	53651DFA02005		Solenoid Valve	電磁閥	1	
11.	53651DFA03001		Solenoid Valve	電磁閥	1	
12.	211303008		Oil Tank Cover Seal	油箱油封	1	
13.	56301D0008025		Bolt M8X25	六角頭螺栓	10	
14.	56303A00008		Spring Washer M8	彈簧墊圈	10	
15.	53403P020VT		O-Ring	O型環	1	
16.	21OLJT006A		Oil Joint	泵浦出油口接頭	1	
17.	53403P024VT		O-Ring	O型環	1	
18.	211303010A		Oil Joint	泵浦回油口接頭	1	
19.	56203810808		90°Joint 1/2TX1/2H	90°接頭 1/2"T 長 X1/2"H	1	
20.	56301A0010030		Hex Bolt M10X30	六角承窩頭螺栓	2	
21.	56303A00010		Spring Washer M10	彈簧墊圈	2	
22.	56225321212		90°Joint 3/4"	銑內外牙彎頭 3/4"90°	1	



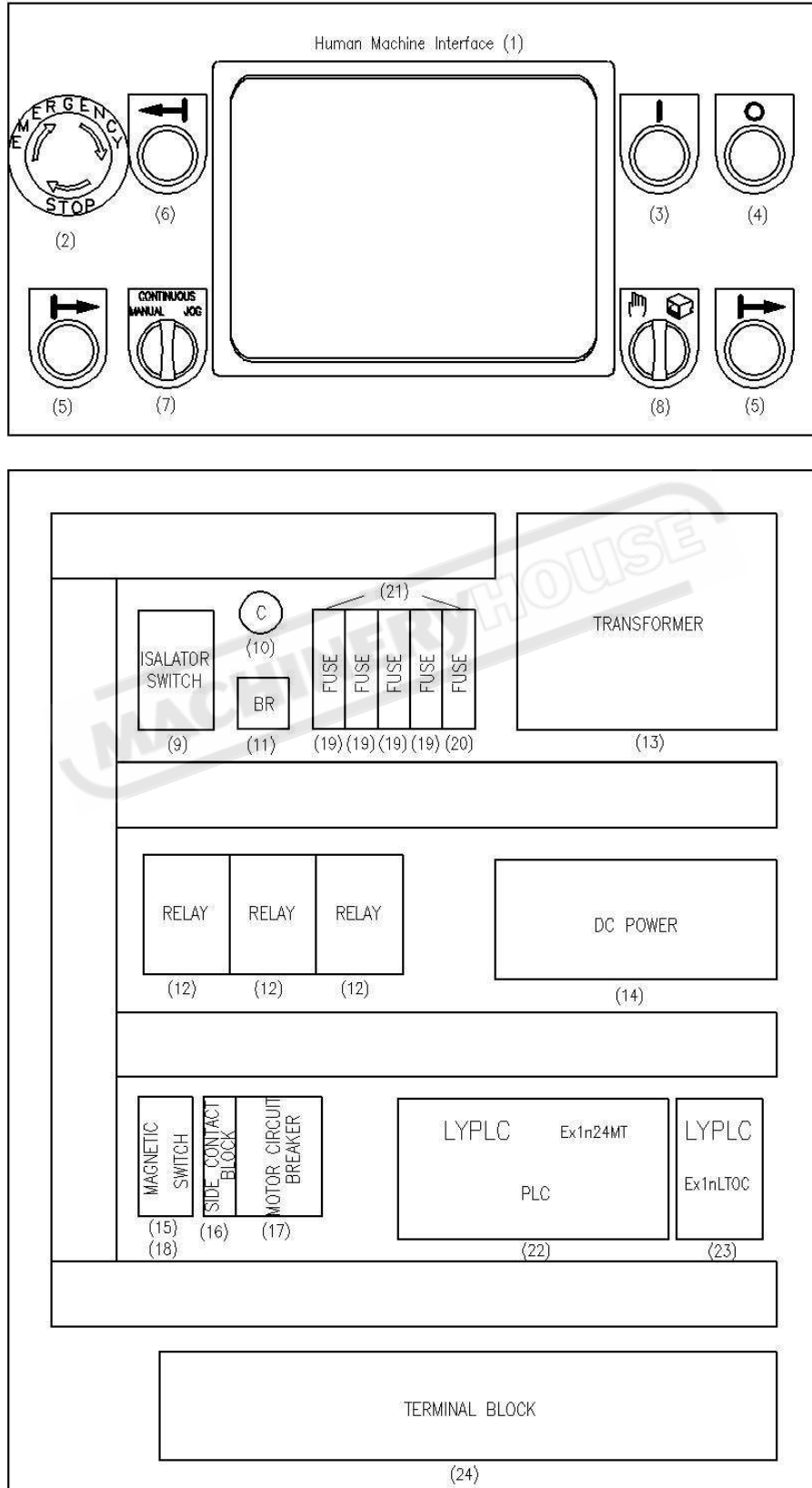
HBM-75 Hydraulic Circuit



6203201 03/2005



HBM-75 Electric Panel Diagram





Sunrise Bending Machine Parts List

Model: **HBM-75** Part: Electrical Components Assembly Date: 12/2011

Item	Part Number	Description	產品名稱	Q'ty	Memo	
1	52503DOPB05S100	Human Machine Interface	人機介面	1	DELTA	
2	52421XB5AS542	Emergency Stop Button	緊急停止	1	TE	
3	52420XB5AW3361	Pump ON Push Button	綠色罩光按鈕	1	TE	
4	52407XB5AL42	Flush Push Button (Red)	泵浦停止-紅色	1	TE	
5	52420ZB5AA3	Push Button (Forward)	平頭按鈕開關-綠(前進)	2	TE	
6	52420ZB5AA2	Push Button (Backward)	平頭按鈕開關-黑(後退)	1	TE	
7	52415ZB5AD3	Selector Switch	選擇開關(三段)旋鈕	1	TE	
8	52415ZB5AG2	Selector Switch	鑰匙選擇開關-二段	1	TE	
9	7.5HP 50Hz	380V : 52407OT25F3 400V : 52407OT25F3 415V : 52407OT25F3	Isolator Switch	電源開關(連桿 M6)	1	ABB Control OY
	7.5HP 60Hz	220V : 52407OT40F3 230V : 52407OT40F3 380V : 52407OT25F3 460V : 52407OT40F3 575V : 52407OT16F3	Isolator Switch			
	7.5HP 60Hz	220V : 52407OT40F3 380V : 52407OT25F3	Isolator Switch (Standard For Taiwan)			
10	522034700UF50V	Capacitor	電容器	1	Kuan Hua(廣華)	
11	52202KBPC2506	Bridge Rectifiers	橋式整流器	1	Chian Hsiang(建祥)	
12	52404SSR10DD	Relay	固態繼電器	3	Telemecanique	
13	220V : 524033802510 230V : 524035752520 380V : 524033802510 460V : 524035752520 575V : 524035752520	Transformer	變壓器	1	Ya Chang(亞成)	
14	52201NED35B	DC Power	電源供應器	1		
15	220V : 52401LC1D25B7 230V : 52401LC1D25B7 380V : 52401LC1D18B7 460V : 52401LC1D25B7 575V : 52401LC1D12B7	Magnetic Switch	電磁接觸器	1	TE	
16	52419GVAN11	Side Contact Block	輔助接點	1	TE	



Model: **HBM-75** Part: Electrical Components Assembly Date: 12/2011

Item	Part Number	Description	產品名稱	Q'ty	Memo
17	220V : 52402GV2ME22 230V : 52402GV2ME22 380V : 52402GV2ME16 460V : 52402GV2ME16 575V : 52402GV2ME14	Motor Circuit Breaker	馬達啓動斷路器	1	TE
18	52419LADN11	Contact Block	輔助接點	1	TE
19	52801A02A	FUSE-2A	保險絲	4	BUSS MANN
20	52801A06A	FUSE-6A	保險絲	1	BUSS MANN
21	52801CFBSCHM1D	Fuse Base	保險絲座	5	BUSS MANN
22	52506EX1N24MT	PLC	可程式控制器	1	LIYAN
23	52599EX291	Signal conversion module	Sin 波轉方波模組	1	LIYAN
24	5270106006204201	Terminal Block	端子台組	1	Wago

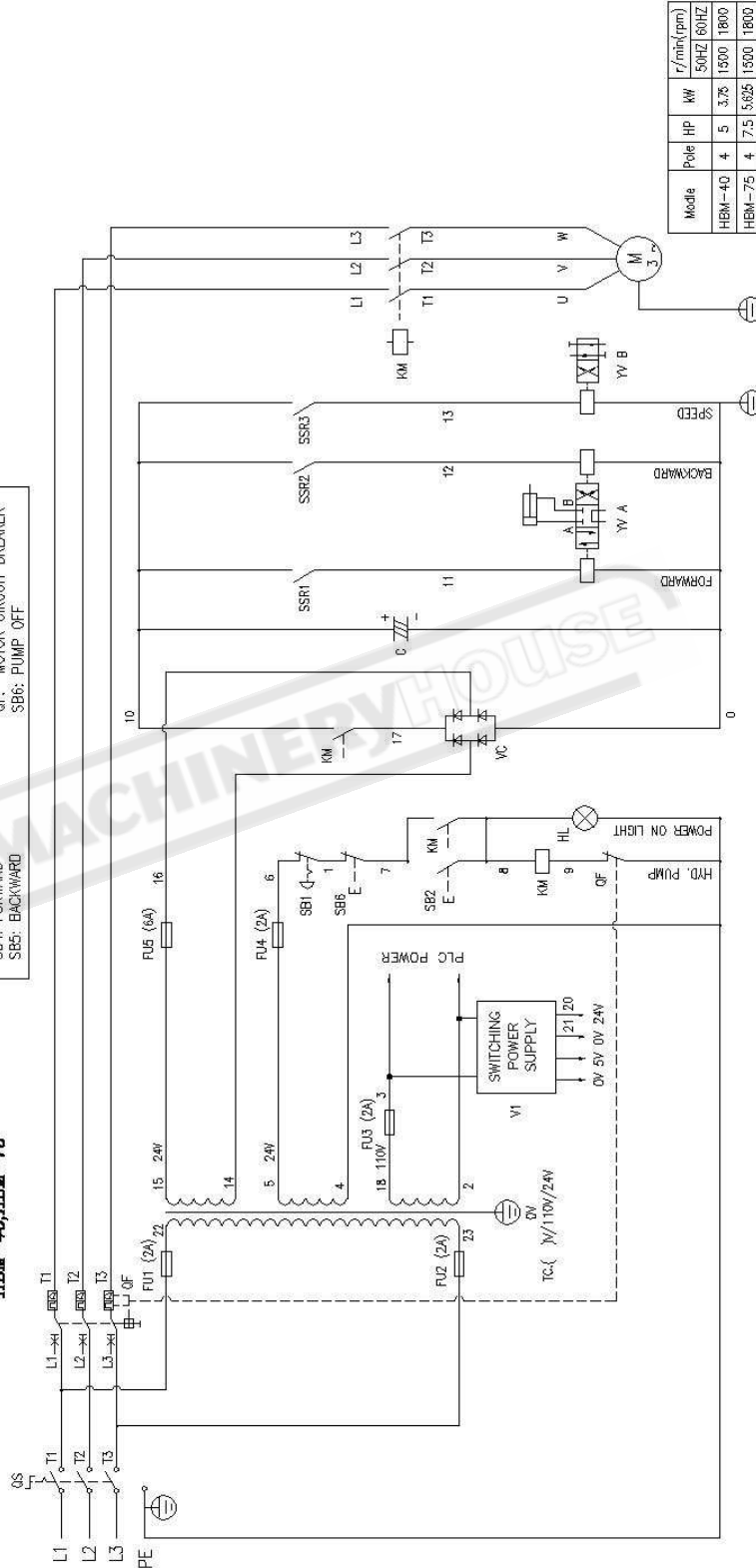


HBM-75 Electrical Circuit

SUNRISE
Fluid Power Inc.

No. 7, Road 12, Industrial Zone,
Taichung City 407, Taiwan, R.O.C.
Tel: 886-4-2359-1190 Fax: 886-4-2359-3409
E-mail: awtkao@ms1.hinet.net

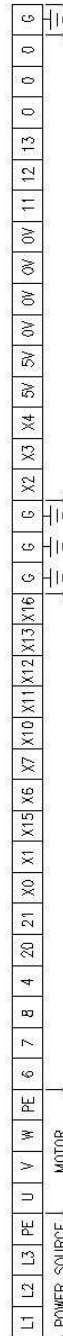
Electrical Circuit HBM-40, HBM-75



- SB1: EMERGENCY STOP
- SB2: PUMP ON
- SB3: FORWARD
- SB4: FORWARD
- SB5: BACKWARD
- SB6: PUMP OFF
- FS: FOOT SWITCH
- SA1: MANUAL/CONTINUOUS/JOG
- SA2: HAND/FOOT
- QF: MOTOR CIRCUIT BREAKER
- SB6: PUMP OFF

Model	HBM-40	HBM-75
HP	5	7.5
KW	3.75	5.625
Phase	3	3
V	380	380
Hz	50	50
AMP'S	8	12.3

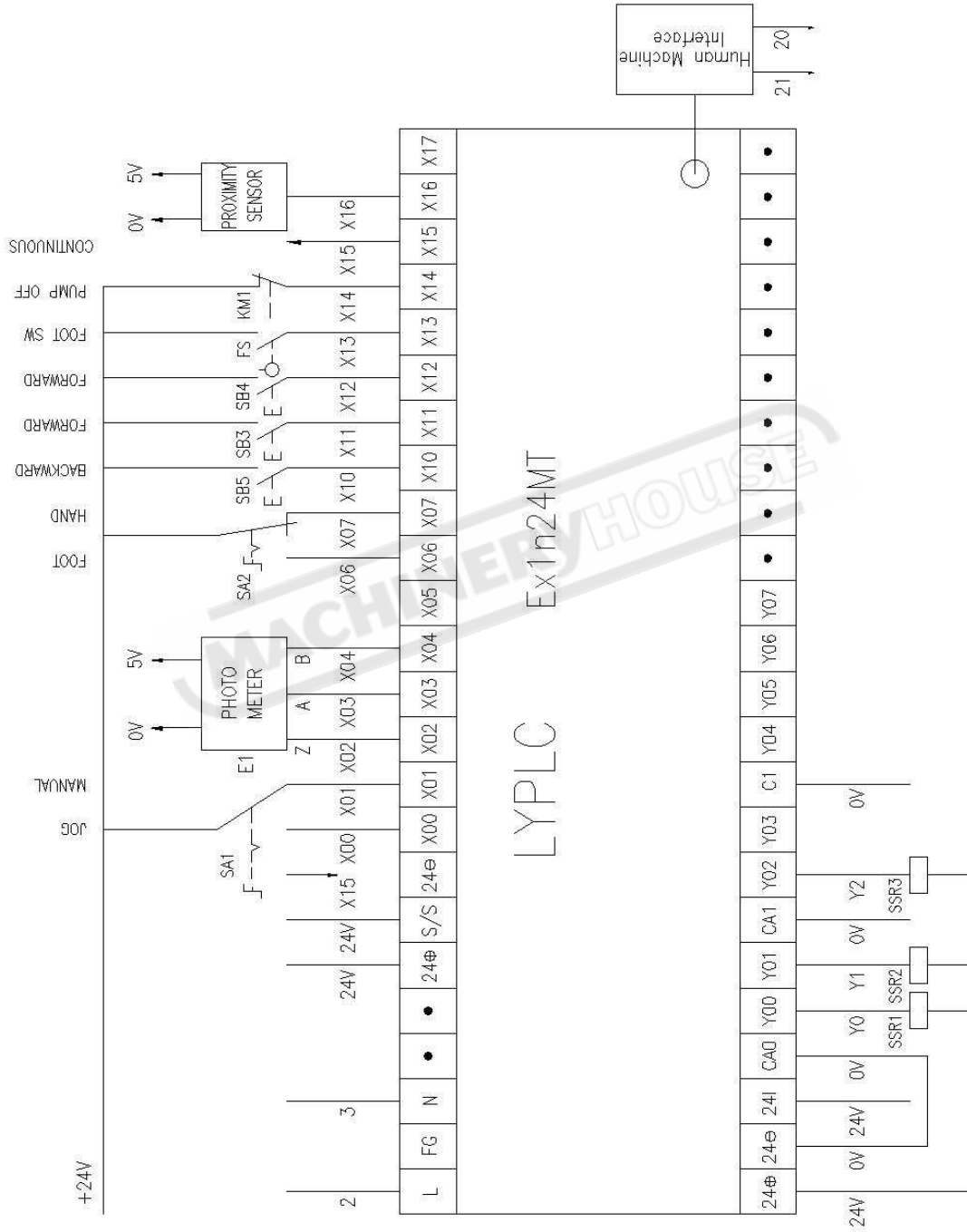
Model	Pole	HP	KW	r/min(rpm)
HBM-40	4	5	3.75	1500 1800
HBM-75	4	7.5	5.625	1500 1800



6204201A-1 12/2011



PLC I/O layout



6204201A-2 12/2011